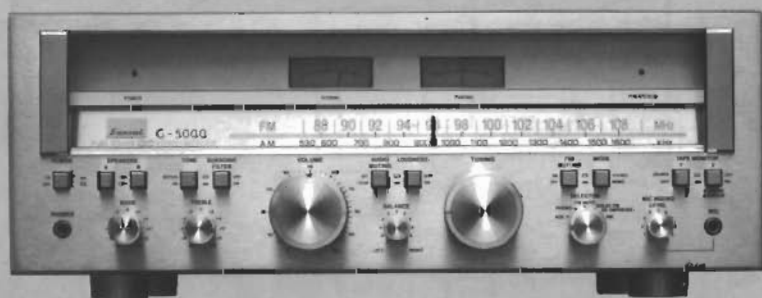


SERVICE MANUAL

PURE POWER DC STEREO RECEIVER

SANSUI G-5000



Sansui

SANSUI ELECTRIC CO., LTD.

SPECIFICATIONS

Audio section

Power output

Min. RMS, both channels driven, from 20 to 20,000 Hz, with no more than 0.03 % total harmonic distortion.

45 watts per channel into 8 ohms

Load impedance 8 ohms

Total harmonic distortion

less than 0.03 % at or below rated min. RMS power output

Intermodulation distortion (70 Hz : 7 kHz = 4:1 SMPTE method) less than 0.03 % at or below rated min. RMS power output

Frequency response (at 1 watt)

Overall (from AUX) . . . 5 to 50,000 Hz, +0.2 dB, -2.0 dB

RIAA curve deviation (PHONO, 30 Hz to 15 kHz)

+0.2 dB, -0.2 dB

Damping factor (1 kHz, both channels driven)

30 into 8 ohms

Input sensitivity and impedance (at 1 kHz)

PHONO 2.5 mV/47 kilohms

(Max. input capability: 220 mV at 1 kHz, less than 0.1 % total harmonic distortion.)

MIC 6 mV/10 kilohms

TAPE-1, 2 PLAY, AUX

150 mV/47 kilohms

Output level (at 1 kHz)

TAPE-1, 2 REC (pin jacks)

150 mV

TAPE-2 REC/PLAY (DIN socket)

43 mV

Hum and noise (short-circuit, A-network)

PHONO 78 dB

TAPE-1, 2 PLAY, AUX

95 dB

Channel separation (at 1 kHz)

PHONO 55 dB

TAPE-1, 2 PLAY, AUX

65 dB

Controls

BASS ±10 dB at 50 Hz

TREBLE ±10 dB at 10 kHz

SUBSONIC FILTER . . -3 dB at 16 Hz (6 dB/oct)

LOUDNESS (VOLUME control: -30 dB position)

8 dB at 50 Hz

6 dB at 10 kHz

AUDIO MUTING . . . -20 dB

FM section

Tuning range 88 to 108 MHz

Usable sensitivity

Mono IHF 10.8 dBf (1.9 μV)

DIN 1.1 μV

Stereo IHF 18 dBf

50 dB quieting sensitivity

Mono 15 dBf

Stereo 37 dBf

Signal to noise ratio (at 65 dBf)

Mono 72 dB

Stereo 68 dB

Distortion (at 65 dBf)

Mono less than 0.18 % at 100 Hz

less than 0.15 % at 1,000 Hz

less than 0.25 % at 6,000 Hz

Stereo less than 0.3 % at 100 Hz

less than 0.2 % at 1,000 Hz

less than 0.3 % at 6,000 Hz

Alternate channel selectivity (at 400 kHz)

60 dB

Capture ratio

11 dB

Image response ratio

50 dB

Spurious response ratio

70 dB

IF response ratio

75 dB

Stereo separation

30 dB at 100 Hz

40 dB at 1,000 Hz

28 dB at 10,000 Hz

20 dB from 30 to 15,000 Hz

Frequency response

30 to 15,000 Hz

+0.2 dB, -1 dB

Antenna input impedance

300 ohms balanced

75 ohms unbalanced

To be continued

Specifications

AM section

Tuning range 530 to 1,600 kHz
 Usable sensitivity (bar antenna)
 50 dB/m (300 μ V/m)
 Selectivity (\pm 10 kHz) . . . 35 dB
 Signal to noise ratio . . . 46 dB
 Distortion (at 30 % Modulation, 80 dB/m)
 less than 0.5 %

Others

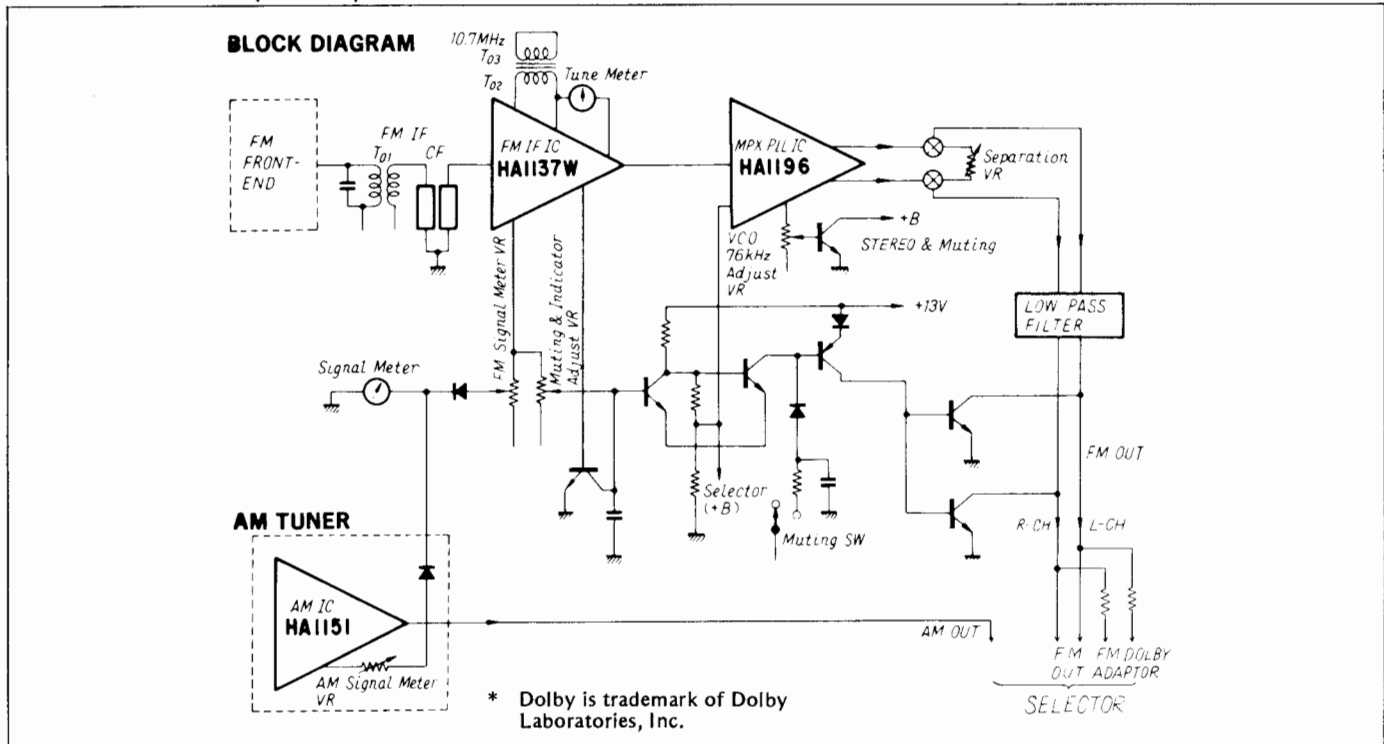
Power requirements
 Power voltage 100, 120, 220, 240 V
 (50/60 Hz)
 For U.S.A. and Canada
 120 V (60 Hz)
 Power consumption
 Rated consumption. 210 watts 250 VA

Dimensions 464 mm (18-5/16") W
 181 mm (7-3/16") H
 408 mm (16-1/8") D
 Weight 14.0 kg (30.9 lbs) net
 16.2 kg (35.7 lbs) packet

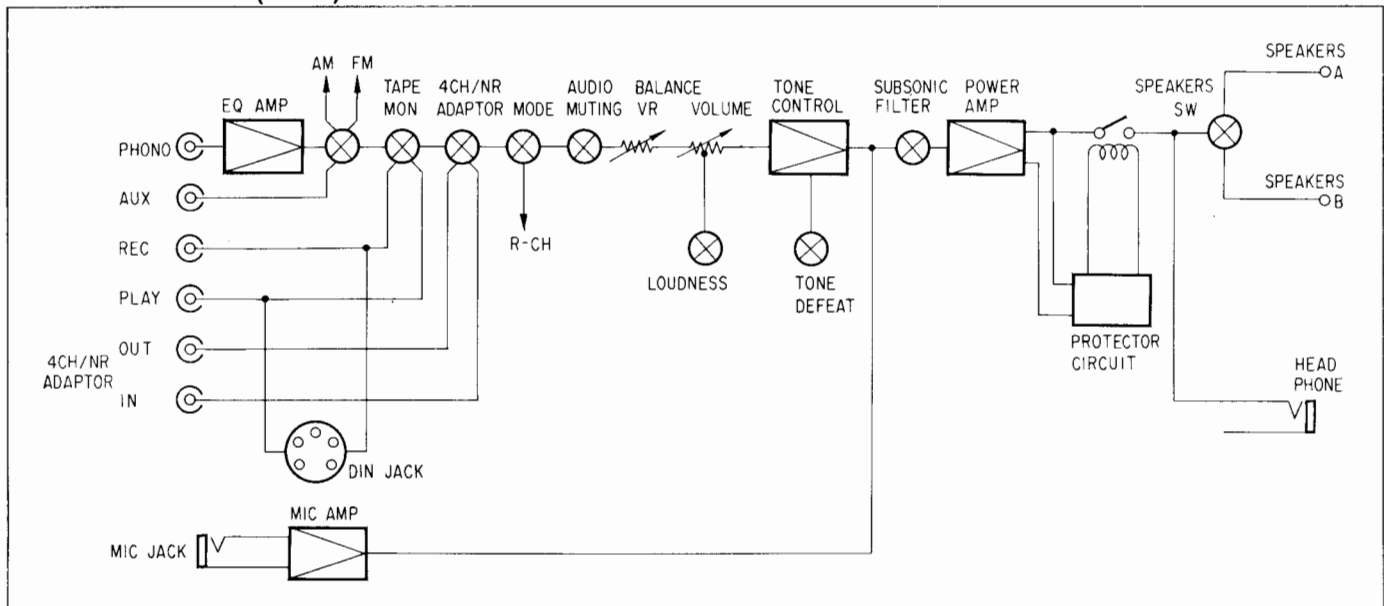
* Design and specifications subject to change without notice for improvements.

1. BLOCK DIAGRAM

1-1. Tuner Section (F-2590)



1-2. Audio Section (L-CH)



2. ADJUSTMENTS

2-1. Driver Circuit Board Adjustments (Refer to Fig.2-1 below)

- Note: 1. Master Volume Minimum
 2. Room Temperature 18°C ~ 28°C
 (65°F ~ 83°F)

3. For adjustment, run the unit for more than 3 minutes after the power is switched on.

(1) DC 0V adjustment

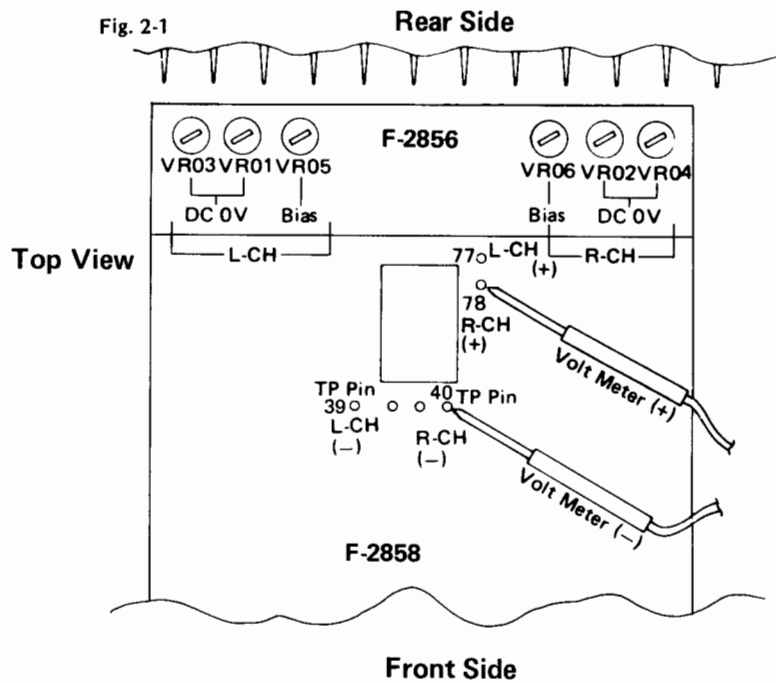
	MEASURE OUTPUT	ADJUST	ADJUST FOR
L-CH	Speaker Terminal between (+) and (-)	F-2856 VR03, VR01	DC 0V
R-CH	Speaker Terminal between (+) and (-)	F-2856 VR04, VR02	DC 0V

Note: At first, set VR01, VR03 for L-CH and VR02, VR04 for R-CH to center position, then make the rough-adjustment by VR03, VR04 and fine-adjustment by VR01, VR02.

(2) Bias Current adjustment

	MEASURE OUTPUT	ADJUST	ADJUST FOR
L-CH	Between TP77 (+) and TP39 (-)	F-2856 VR05	DC 4.5 mV (13.6 mA)
R-CH	Between TP78 (+) and TP40 (-)	F-2856 VR06	DC 4.5 mV (13.6 mA)

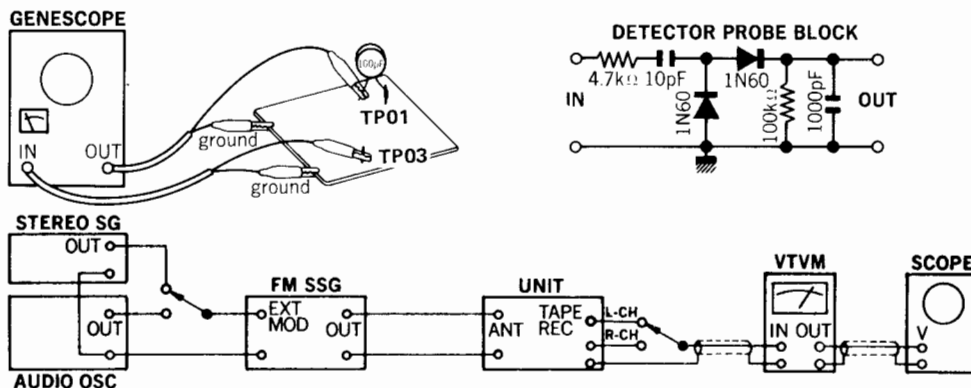
- Note: 1. By turning adjustment volumes, VR05 and VR06 counterclockwise, the bias current is decreased.
 2. In case of adjusting or confirming bias current, avoid such a measurement that the power transistors are heated.



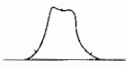
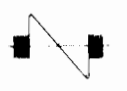

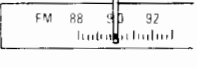

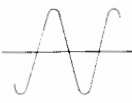

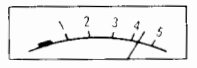
2-2. FM Adjustment

- Note: 1. Selector FM AUTO
 2. FM Muting Switch OFF

3. Connection Connect the output of genescope to TP01 through 100 pF ceramic capacitor.



(1) FM IF, RF Adjustment and Dial Calibration (Refer to Fig. 2-2 on page 4)

STEP	SUBJECT	FEED SIGNAL		MEASURE OUTPUT	ADJUST	ADJUST FOR	REMARKS
		FROM	TO				
1.	IF Coil	Output 80 dB Genescope	TP01 F-2590	Lead wire of TP03 (Use Detector Probe)	T01 F-2590	Max. IF waveform	
2.	Discriminator Coil	Same as above	Same as above	TP04 F-2590	T02 T03 F-2590	Steep linearity of S curve Make symmetrical S curve	
3.	Tuning Meter	98 MHz ANT Input 65 dBf (59.8 dB) 1000 Hz (100% MOD) FM SSG	ANT terminal 300Ω	Tuning Meter	T02 F-2590	Center on Meter	
4.	90 MHz Dial Calibration	90 MHz ANT Input 65 dBf (59.8 dB) 1000 Hz (100% MOD) FM SSG	Same as above	OUT L or R-CH VTVM & Scope	L03 F-2590	Max. Indication on signal meter & VTVM & Scope. Center Indication on Tuning Meter	
	106 MHz Dial Calibration	106 MHz ANT Input 65 dBf (59.8 dB) 1000 Hz (100% MOD) FM SSG	Same as above	Same as above	TC03 F-2590		
5.	90 MHz RF Adj.	90 MHz ANT Input Minimum Value with sine wave 1000 Hz (100% MOD) FM SSG	Same as above	Same as above	L01, L02 F-2590	Same as above	
	106 MHz RF Adj.	106 MHz ANT Input Minimum Value with sine wave 1000 Hz (100% MOD) FM SSG	Same as above	Same as above	TC01, TC02 F-2590	Same as above	
6.	Signal Meter Volume	98 MHz ANT Input 65 dBf (59.8 dB) 1000 Hz (100% MOD) FM SSG	Same as above	Signal Meter	VR02 F-2590	4.3 on Meter	

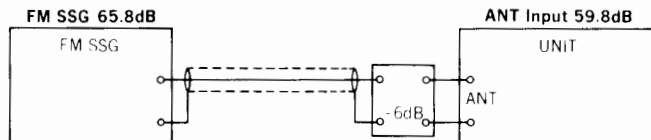
●NEW MEASUREMENT FOR FM.

Input signal level under the provision of IHFM-T-200, a new measurement method is indicated by available power ratio "dBf". To obtain approximate available power ratio "dBf", abstract 0.8 from attenuator indication of general FMSSG (open load indication type); however, the former measurement, IHFM-T-100 is designated together too.

The way of modulation on IHFM-T-200 is shown below.

	modulation frequency	modulation mode	modulation factor
FM MONO	1000 Hz		100%
FM STEREO	1000 Hz	SUB	Pilot 9% Pilot + SUB 100%

- The relation between the standard input 65 dBf of IHFM-T-200 and the former indication "dB" is shown below.



●Abbreviations

Equipment	
AM FM Generator Oscilloscope	Genescope
AM Standard Signal Generator	AM SSG
FM Standard Signal Generator	FM SSG
FM Stereo Generator	Stereo SG
Oscilloscope	Scope
Audio Oscillator	Audio Osc.

Others

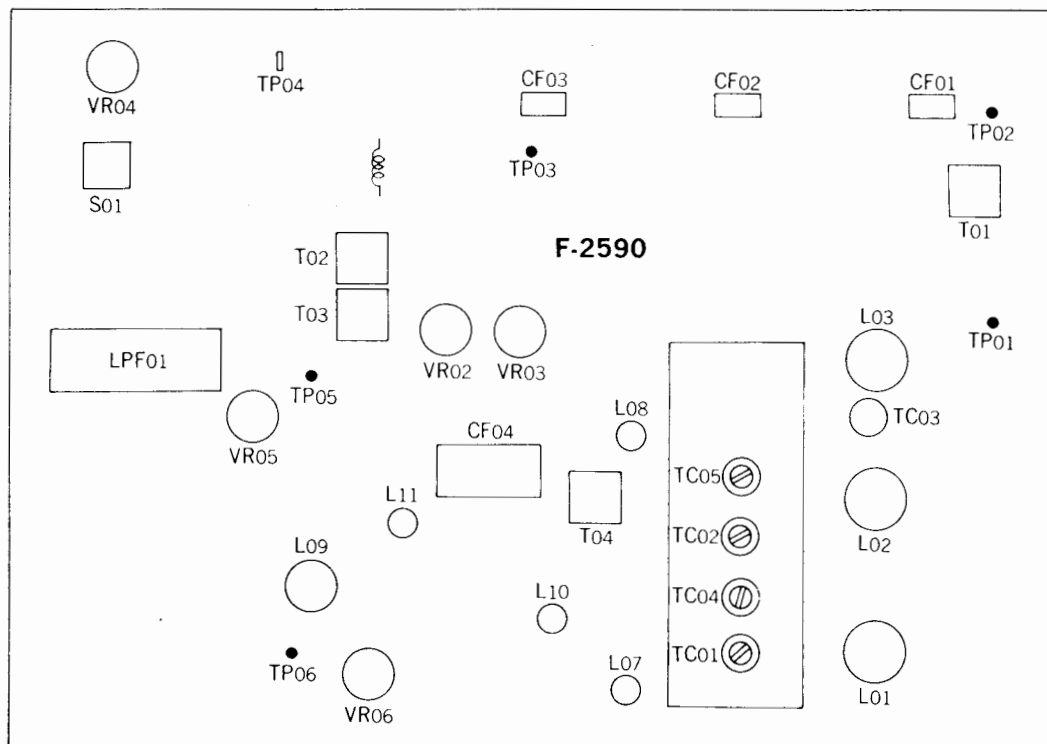
Antenna	ANT.
Modulation	MOD.
Total Harmonic Distortion	T.H.D.

(2) FM STEREO Adjustment (Refer to Fig. 2-2 below)

STEP	SUBJECT	FEED SIGNAL		MEASURE OUTPUT	ADJUST	ADJUST FOR	REMARKS
		FROM	TO				
1.	PLL VCO Adj.	98 MHz ANT Input 65 dBf (59.8 dB) FM SSG Pilot 19 kHz (9% MOD) SUB 1 kHz + Pilot (100% MOD) STEREO SG	ANT terminal 300Ω	Stereo indicator	VR05 F-2590	Light indicator	Adjust the VR05 within center of lighting vange
	PLL VCO Adj. In case of using Freq. counter.	98 MHz ANT Input 65 dBf (59.8 dB) FM SSG (no MOD)	Same as above	TP05 F-2590 Use Freq. counter	VR05 F-2590	76 kHz ±200 Hz	
2.	Separation	98 MHz ANT Input 65 dBf (59.8 dB) FM SSG Pilot 19 kHz (9% MOD) RMode 1 kHz + Pilot (100% MOD) STEREO SG	Same as above	OUT L-CH VTVM & Scope	VR04 F-2590	OUT -35 dB	Confirm separation L-CH → R-CH
3.	Muting level & indicator level	98 MHz ANT Input 18 dBf (12.8 dB) FM SSG Pilot 19 kHz (9% MOD) SUB 1 kHz + Pilot (100% MOD) STEREO SG	Same as above	Stereo indicator	VR03 F-2590	Muting level 18 dBf (12.8 dB) Indicator lighting level 18 dBf (12.8 dB)	FM MUTING Switch ON

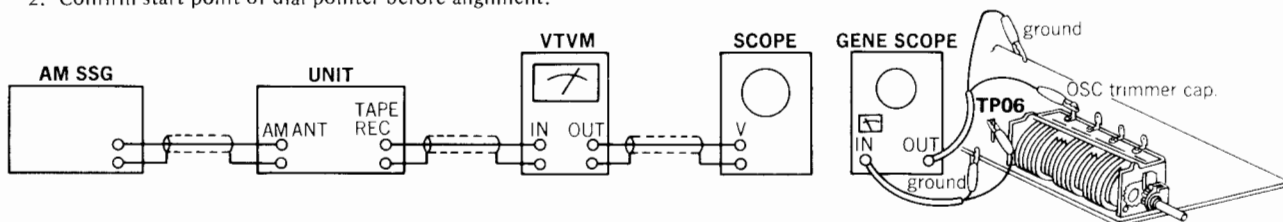
•Adjusting or Connecting Points on AM, FM & FM MPX circuit board, F-2590

Fig. 2-2



2-3. AM IF, RF Adjustment and Dial Calibration

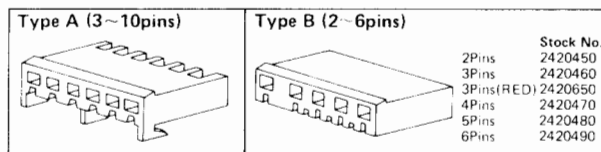
- Note: 1. Selector AM
 2. Confirm start point of dial pointer before alignment.



STEP	SUBJECT	FEED SIGNAL		MEASURE OUTPUT	ADJUST	ADJUST FOR	REMARKS
		FROM	TO				
1.	IF Coil	Genescope Output 45 dB	TC04 F-2590	TP06 F-2590	CF04 F-2590	Max. IF waveform	
2.	600 kHz Dial Calibration	600 kHz ANT Input 60 dB 400 Hz (MOD 30%) AM SSG	AM ANT terminal	REC OUT L or R-CH VTVM & Scope	T04 F-2590	Max. Output	
	1400 kHz Dial Calibration	1400 kHz ANT Input 60 dB 400 Hz (MOD 30%) AM SSG	Same as above	Same as above	TC05 F-2590	Same as above	
3.	600 kHz RF Adj.	600 kHz ANT Input 60 dB 400 Hz (MOD 30%) AM SSG	Same as above	Same as above	L702 Bar Antenna	Same as above	
	1400 kHz RF Adj.	1400 kHz ANT Input 60 dB 400 Hz (MOD 30%) AM SSG	Same as above	Same as above	TC04 F-2590	Same as above	
4.	Signal Meter volume	1000 kHz ANT Input 54 dB 400 Hz (MOD 30%) AM SSG	Same as above	Signal Meter	VR06 F-2590	4 on meter	

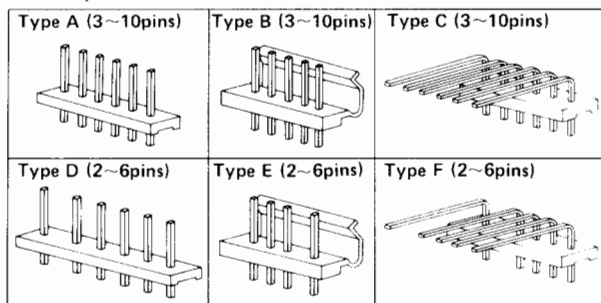
Connector & Pin Ass'y

Connectors



NOTE: Since stock number of female connectors (type B) with wires are not shown in each parts list of Complete circuit board, please refer to the above parts list when ordering the connector.

Pin Ass'y



Abbreviations

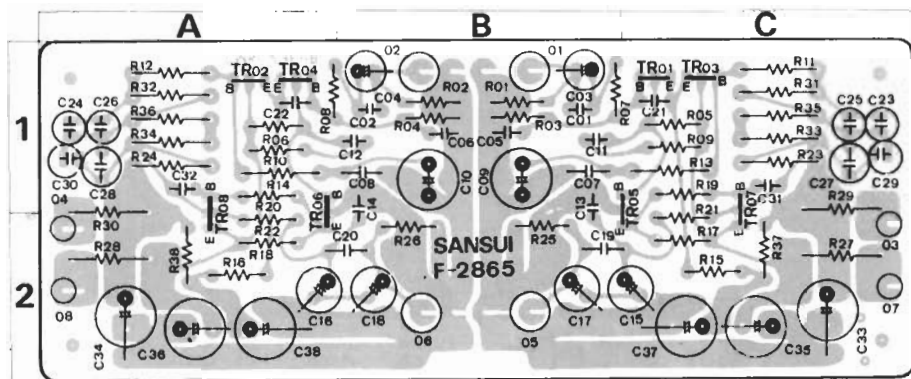
- C.R. : Carbon Resistor
- S.R. : Solid Resistor
- Ce.R. : Cement Resistor
- M.R. : Metal Film Resistor
- F.R. : Fusing Resistor
- N.I.R. : Non-Inflammable Resistor
- M.C. : Mylar Capacitor
- E.C. : Electrolytic Capacitor
- BP.E.C. : Bi-Polar Electrolytic Capacitor
- C.C. : Ceramic Capacitor
- Mi.C. : Mica Capacitor
- O.C. : Oil Capacitor
- P.C. : Polystyrene Capacitor
- T.C. : Tantalum Capacitor

3. PARTS LOCATION & PARTS LIST

Since some of capacitors and resistors are omitted from parts lists in this Service Manual, refer to the Common Parts List for capacitors & resistors which was appended previously to each Sansui Manual.

3-1. F-2865 Equalizer Circuit Board (Stock No. 7551261)

Conductor Side

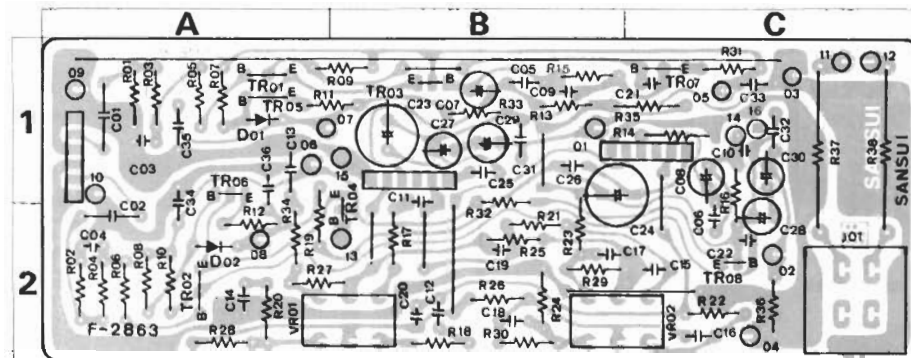


Parts List

Parts No.	Stock No.	Description	Position
TR01, 02	0300900, 1	2SA906 G, H	1C, A
TR03, 04	0300900, 1	2SA906 G, H	1C, A
TR05, 06	0306550, 1	2SC1775 E, F	Transistor 1B, A
TR07, 08	0306550, 1	2SC1775 E, F	
C 05, 06	0620101	100 PF 50V P.C.	1B
C 23, 24	0625122	1200 PF 50V P.C.	1C, A
C 25, 26	0620391	390 PF 50V P.C.	1C, A
C 27, 28	0625562	5600 PF 50V P.C.	1C, A
C 29, 30	0620101	100 PF 50V P.C.	1C, A
R 11, 12	0231101	100 Ω 1/4W	1C, A
R 13, 14	0231102	1 0 kΩ 1/4W	M, R, 1C, A
R 23, 24	0200332	3.3 kΩ 1/4W	1C, A
R 27, 28	0200560	56 Ω 1/4W	N, I, R, 2C, A
R 29, 30	0200560	56 Ω 1/4W	1C, A
R 31, 32	0231473	47 kΩ 1/4W	1C, A
R 33, 34	0231223	22 kΩ 1/4W	M, R, 1C, A
R 35, 36	0231564	560 kΩ 1/4W	1C, A
	2410590	4P Pin Assy Type D	

3-2. F-2863 Tone Control Circuit Board (Stock No. 7562191)

Conductor Side

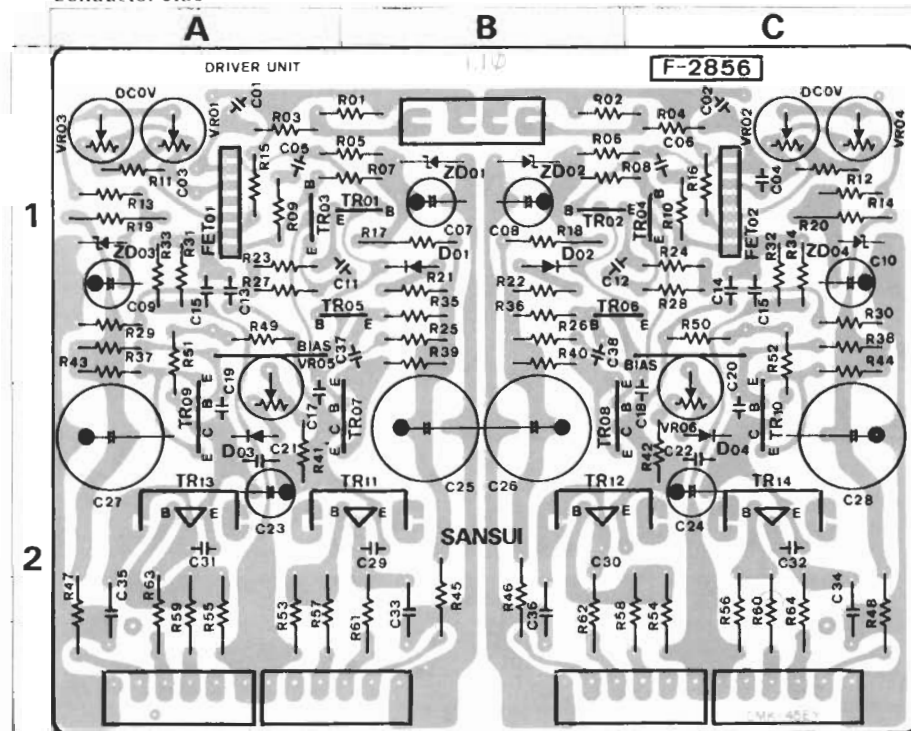


Parts List

Parts No.	Stock No.	Description	Position
TR01, 02	0306010, 1	2SC1222 (2) U, E	Transistor 1, 2A
TR03, 04	0306010, 1	2SC1222 (2) U, E	
TR05, 06	0306010, 1	2SC1222 (2) U, E	
TR07, 08	4130890, 1	2SA750 (3) E, U	1, 2C
D 01, 02	{ 0340120 0340150	VD1212 MV 12	Varistor 1, 2A
R 37, 38	0135221	220 Ω 5W Ce R.	
VR01, 02	1015360, 1	100 kΩ IC1 x 2, Bass & Treble Volume	2B
J 601	2430400	Jack, headphone	

3-3. F-2856 Driver Amp Circuit Board (Stock No. 7571901)

Conductor Side

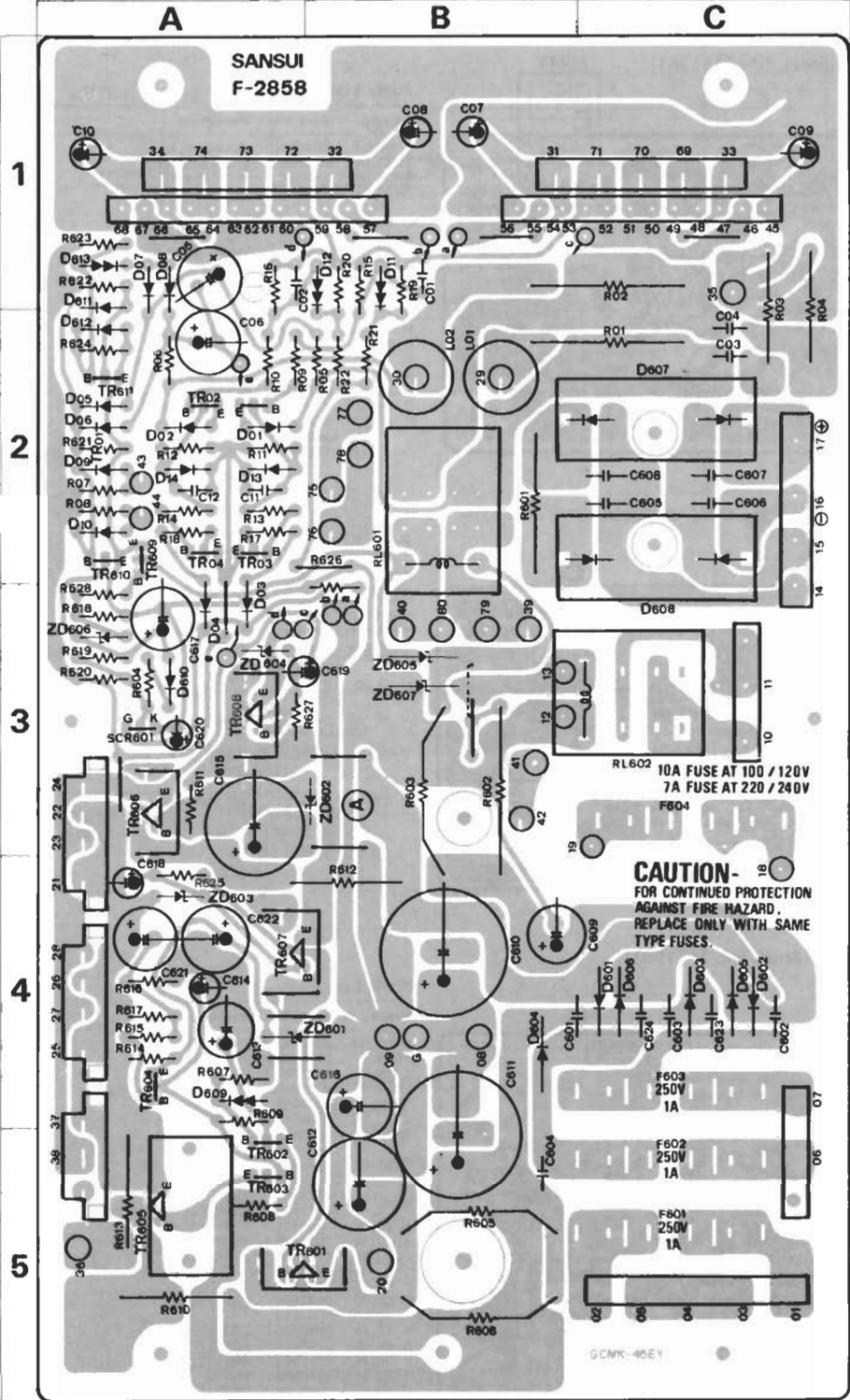


Parts List

Parts No.	Stock No.	Description	Position
TR01, 02	0306550, 1	2SC1775 E, F	1B
TR03, 04	0306550, 1	2SC1775 E, F	
TR05, 06	0301030, 1	2SA939 B, V	1A, C
TR07, 08	0301030, 1	2SA939 B, V	
TR09, 10	0306680, 1	2SC2071 B, V	2A, C
TR11, 12	0308611, 2	2SD357 D, E	2B
TR13, 14	0303441, 2	2SB527 D, E	
FT01, 02	0370281, 2	2SK109 D, E FET	1A, C
D 01, 02	{ 0311160 0311180	1S2473D 1S1588	Diode 1B
D 03, 04	0340161, 2	STV-3H Y, G Varistor	
ZD01, 02	0316450	RD18E B, J	Diode 1B
ZD03, 04	0316450	RD18E B, J	
C 01, 02	0620101	100 PF 50V	1A, C
C 05, 06	0620151	150 PF 50V P.C.	
R 17, 18	0210222	2.2 kΩ	1B
R 19, 20	0210222	2.2 kΩ	
R 45, 46	0210560	56 Ω	1A, C
R 47, 48	0210560	56 Ω	
R 53, 54	0210221	220 Ω	1/4W N, I, R, 2B
R 55, 56	0210221	220 Ω	
R 57, 58	0210229	2 2 Ω	2A, C
R 59, 60	0210229	2 2 Ω	
VR01, 02	1033570	100 Ω (5) Center DC 0V Adjusting Volume	1A, C
VR03, 04	1033650	2.2 kΩ (1) Center DC 0V Adjusting Volume	1A, C
VR05, 06	1033570	100 Ω (1) Bias Current Adjusting Volume	2A, C
	2410590	4P Pin Assy Type D	
	2420520	6P Pin Assy Type D	
	5101994	M3 x 1.0 Binding Head SEMS Screw (B Type)	
	5110241	M3 x 2.4 Hexagon Nuts	

3-4. F-2858 Power Supply Circuit Board (Stock No. 7502731)

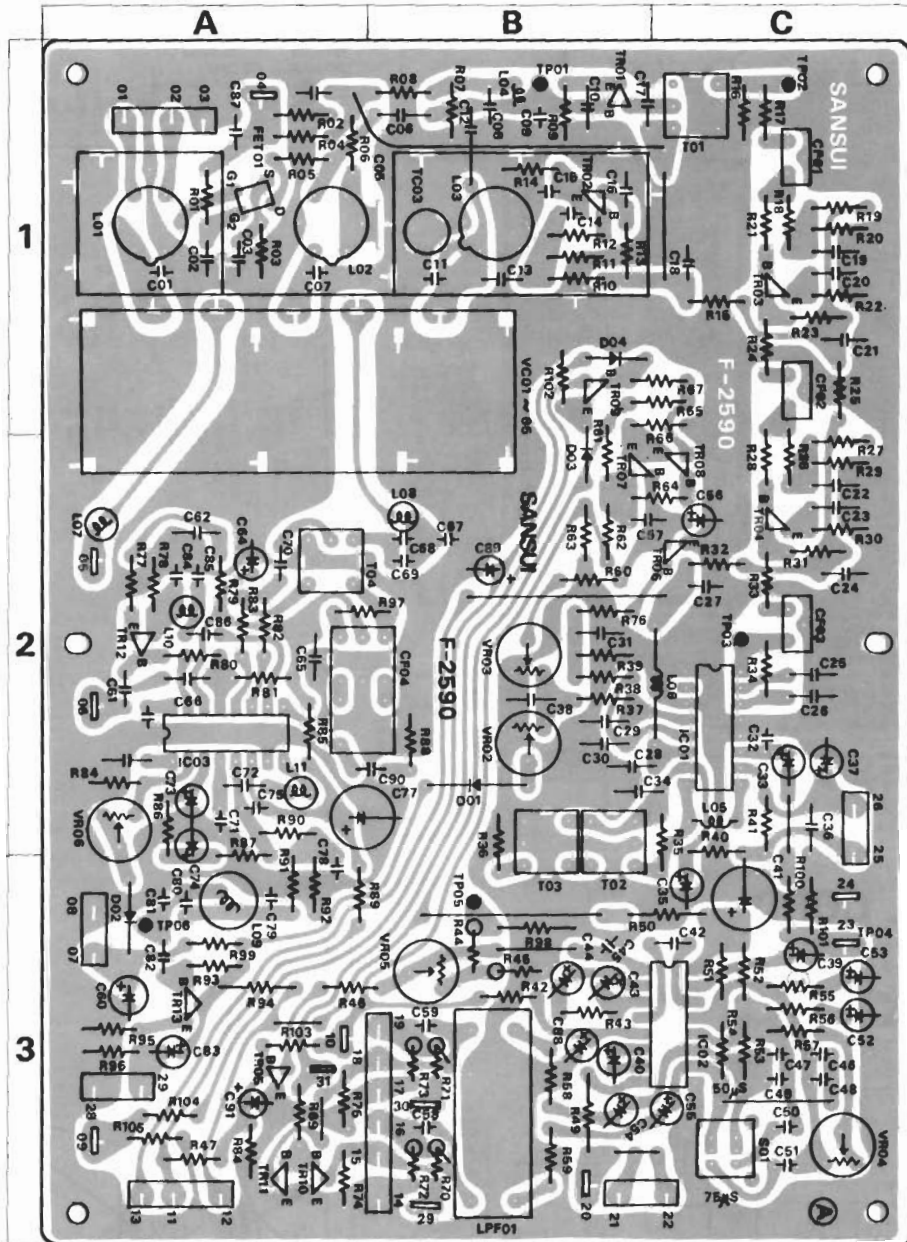
Conductor Side



Parts List

Parts No.	Stock No.	Description	Position
TR01, 02	0306550, 1	2SC1775 E, F	2A
TR03, 04	0300930, 1	2SA872 D, E	2A
TR05, 06	0306550, 1	2SC1775 E, F	5A
TR601	0308392, 3	2SD313AL E, F	5A
TR602	0300721, 2	2SA850 D, E	5, 4A
TR603, 604	0306550, 1	2SC1775 E, F	3A
TR605	0308392, 3	2SD313AL E, F	2A
TR606	0303231, 2	2SB507V11 AL D, E	2A
TR609	0308521, 2	2SD438 E, F	2A
TR610, 611	0306550, 1	2SC1775 E, F	2A
D 01, 02	0311160 0311180	1S2473D 1S1588	2A
D 03, 04	0311160	1S2473D	3A
D 05, 06	0311160	1S1588	2A
D 07, 08	0311160	1S2473D	1A
D 09, 10	0311180	1S1588	2A
D 11, 12	0340150	MV12 Varistor	1B
D 13, 14	6310490	1N34A	2A
D 601	0310350	10D2 (1S2227)	4C
D 602	0310350	10D2 (1S2227)	4C
D 603	0310350	10D2 (1S2227)	4C
D 604	0310350	10D2 (1S2227)	4B
D 605	0310350	10D2 (1S2227)	4C
D 606	0310350	10D2 (1S2227)	4C
D 607	9311290	SS3	2C
D 608	0311300	SS3R	2C
D 609	0340150 0340150	V01212 MV12	4A
D 620, 611	0311160	1S2473D	3, 1A
D 612	0311180	1S1588	2A
D 613	0311180	1S1588	1A
ZD601	0315970	EQA01 13R Zener Diode	4A
ZD602	0316520	R024E C Diode	3B
ZD605	0315060	EQB01 25 Zener Diode	3B
ZD606	0316070	EQA01 24R	3A
ZD606	0316390	R06 2E, B Diode	3A
SR01	0350020	2SF656 SCR	3A
C 601	0655472	4700 PF	4B
C 602	0655472	4700 PF	4C
C 603	0655472	4700 PF	4C
C 604	0655472	4700 PF	5B
C 605	0655472	4700 PF	2C
C 606	0655472	4700 PF	2C
C 607	0655472	4700 PF	2C
C 608	0655472	4700 PF	2C
C 610, 611	0549207	1000 µF 63V E, C	4B
C 623, 624	0655472	4700 PF 500V C, C	4C
R 01, 02	0133109	1 0Ω 3W Ce R	1C
R 03, 04	0212100	10Ω 2W	1, 2C
R 601	0212822	8 2 kΩ 2W	2B
R 602	0182422	1 2 kΩ 2W	3B
R 603	0182102	1 0 kΩ 2W	3B
R 605, 606	0185471	470Ω 5W	5B
R 610	0202100	10Ω 2W	5A
R 612	0202100	10Ω 2W	4B
R 613	0201122	1 2 kΩ 1W	5A
L 01, 02	4210290	RF Coil 1.5 µH	2B
RL601	1150400	Relay	2B
F 601	0432220	AC Fuse 1A 250V	
F 602	0432220	AC Fuse 1A 250V	
F 603	0432220	AC Fuse 1A 250V	
F 604	0432300	AC Fuse 6A 125V	
	2310220	Fuse Holder	
	2410730	6P Pin Ass'y Type A	
	2411400	3P Mini Connector	
	2411410	4P Mini Connector	

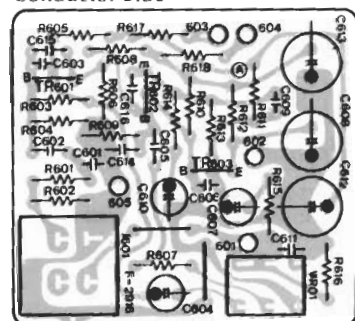
3-5. F-2590 Tuner Circuit Board (Stock No. 7521761)
Conductor Side



Parts List

Parts No.	Stock No.	Description	Position
TR01	0305801, 2	2SC1047 B, C	1B
TR02	0305801, 2	2SC1047 B, C	1B
TR03	0306113	2SC738 D	1C
TR04	0306112	2SC738 C	2A
TR05	0305730, 1	2SC711 D, E	3A
	0305732, 3	2SC711 F, G	
	0305950, 1	2SC945 P, Q	
	0305952, 3	2SC945 P, K	
	0306090, 1	2SC1312R F, G	
TR06	0305730, 1	2SC711 D, E	2C
	0305732, 3	2SC711 F, G	
	0305950, 1	2SC945 R, Q	
	0305952, 3	2SC945 P, K	
	0306090, 1	2SC1312R F, G	
TR07	0305731, 2	2SC711 E, F	2B
	0306951, 2	2SC945 Q, P	
TR08	0306090, 1	2SC1312R F, G	2C
	0305731, 2	2SC711 E, F	
	0305951, 2	2SC945 Q, P	
TR09	0300470	2SA726 (W) F	1A
TR10, 11	0305641	2SC735 Y	3A
	0306390	2SC1636-1	
TR13	0305730, 1	2SC711 D, E	3A
	0305732, 3	2SC711 F, G	
	0305950, 1	2SC945 R, Q	
IC 01	0360350	HA1137W	2C
	0360320	HA1196	
	0360390	HA1197	
FT 01	0370120, 1	3SK41 (K, L)	FET
	0370131, 2	3SK41 (I, J, K)	
D 01	0340120	VD1212	2B
D 03	0340120	VD1212	2B
D 04	0311160	1S2473D	1B
D 05	0311160	1S2473D	Diode
	0311180	1S1588	
D 06	0311160	1S2473D	1B
C 01	0669350	15 PF 50V C.C	1A
C 05	0659015	2200 PF 50V C.C	1B
C 06	0669504	4 PF 50V C.C	1B
C 07	0669350	15 PF 50V C.C	1A
C 09	0661220	22 PF 50V C.C	1B
C 11	0669355	20 PF 50V C.C	1B
C 12	0679012	1.5 PF 500V Gimmick Capacitor	1B
C 13	0669210	10 PF	1B
C 14	0669210	10 PF 50V C.C	1B
C 15	0669210	10 PF	1B
C 45	0629005	380 PF 50V P.C	3B
C 48, 49	0620101	100 PF 50V P.C	3C
C 50, 51	0620561	580 PF 50V P.C	3B
C 58, 59	0620561	580 PF 50V P.C	3C
C 67	0669400	15 PF 50V C.C	2B
C 68	0661150	15 PF 50V C.C	2B
C 69	0620361	380 PF 50V P.C	2A
C 84	0661150	15 PF 50V C.C	2A
C 85	0661150	15 PF 50V C.C	2A
L 01	4200720	Antenna Coil	1A
L 02	4210340	RF Coil	1A
L 03	4220400	OSC Coil	1B
L 04	4290110	100 µH Choke Coil	1B
L 05	4290300	18 µH Inductor	2C
L 06	4290011	3.5 µH Peaking Coil	2C
L 07	4900100	3.3 µH	2A
L 08	4900100	3.3 µH Inductor	2B
L 10	4900110	100 µH	2A
T 01	4235930	FM IF Coil	1C
T 02	4235990	FM IF Coil	2B
	4235991	FM IF Coil	
T 03	4236000	FM IF Coil	2B
T 04	4236001	FM IF Coil	2A
T 04	4220650	AM OSC Coil	2A
CF 01	0910380	Ceramic Filter	1C
CF 02	0910380	Ceramic Filter	1C
CF 03	0910380	Ceramic Filter	2C
CF 04	0910370	Ceramic Filter	2A
LF 01	0910220	Low Pass Filter	
VR02	1035170	47 kΩ (B) FM Signal Meter VR	2B
VR03	1035190	100 kΩ (B) FM Stereo and Muting Lever VR	2B
VR04	1035210	220 kΩ (B) Separation VR	3C
VR05	1034250	4.7 kΩ (B)	V.C.O. VR
	1034251	4.7 kΩ (B)	
VR06	1035110	4.7 kΩ (B) AM Signal Meter VR	2A
S 01	1110270	De-emphasis Switch	3C
VC01	1220250	AM-FM Variable Capacitor	1B
TC03	1230090	Trimmer Capacitor	1B

3-6. F-2916 Mic Amp Circuit Board (Stock No. 7610301)
Conductor Side

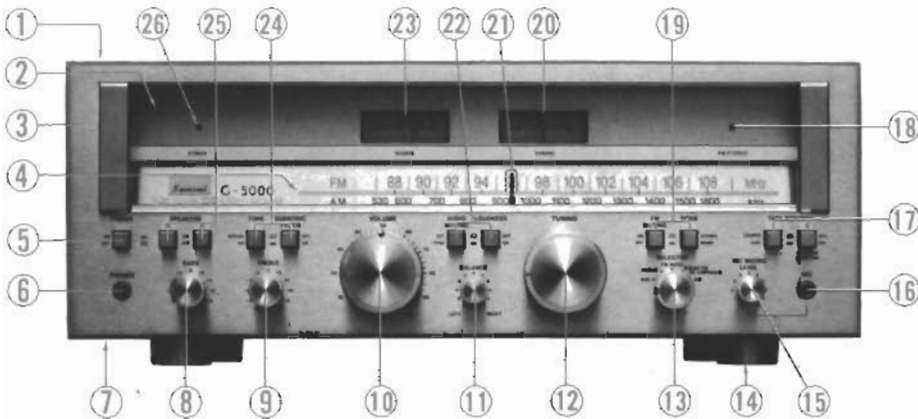


Parts List

Parts No.	Stock No.	Description
TR601	0306070, 1	2SC1313 F, G
TR602	0300470, 1	2SA726 (W) F, G
TR603	0306010, 1	2SC1222 (Z) U, E
C 609	0520681	680 PF 50V P.C
R 617	0191470	47Ω
R 618	0191470	47Ω
VR601	1090270, 1	20 kΩ (A) Mic Mixing Volume
J 601	2430400	Mic Jack

4. OTHER PARTS

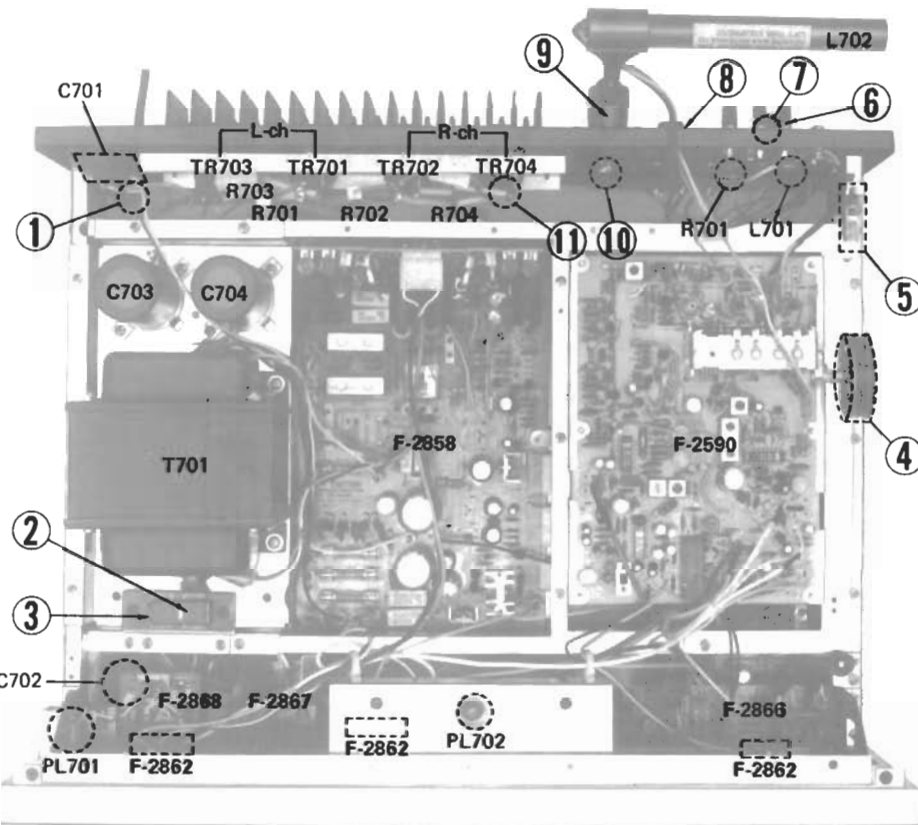
<Front View>



Parts List

Parts No.	Stock No.	Description
1	5727100	Wood Bonnet
2	5301390	Inside Panel
3	7007840	Front Panel Ass'y
	5408310	Front Glass
	5048120	Masking Plate
	5517270	Masking Packing
4	5408350	Dial Scale
5	5326690	Power Switch Knob
	1131650	Power Switch
6	2430400	Head Phone Jack Socket
7	5058860	Bottom Plate
8	5319080	Bass Volume Knob
	1015360, 1	100 kΩ (C) x 2 Bass Volume
9	5319080	Treble Volume Knob
	1015360, 1	100 kΩ (C) x 2 Treble Volume
10	5319180	Volume Knob
	1011180, 1	150 kΩ (B) x 2 Volume
11	5319130	Balance Volume Knob
	1015320, 1	250 kΩ (M, N) x 2 Balance Volume
12	5319170	Tuning Knob
13	5319140	Selector Switch Knob
	1103600, 1	Selector Switch
14	5517050	Leg
15	5319130	Mic Mixing Level Volume Knob
	1090270, 1	20 kΩ A Mic Mixing Level Volume
16	2430400	Microphone Jack Socket
17	5326690	Tape Monitor Switch Knob
	1131560, 1	Tape Monitor Switch
18	0319060	FM Stereo LED (Red)
19	5326690	FM Muting & Mode Switch Knob
	1131590, 1	FM Muting & Mode Switch
20	4301240, 1	Tuning Meter
21	7116050	Dial Pointer
22	5326690	Audio Muting & Loudness Switch Knob
	1131560, 1	Audio Muting & Loudness Switch
23	4301230, 1	Signal Meter
24	5326690	Tone & Subsonic Filter Switch Knob
	1131570	Tone & Subsonic Filter Switch
25	5326690	Speakers Selector Knob
	1131580, 1	Speakers Selector Switch
26	0319050	Power LED (Green)

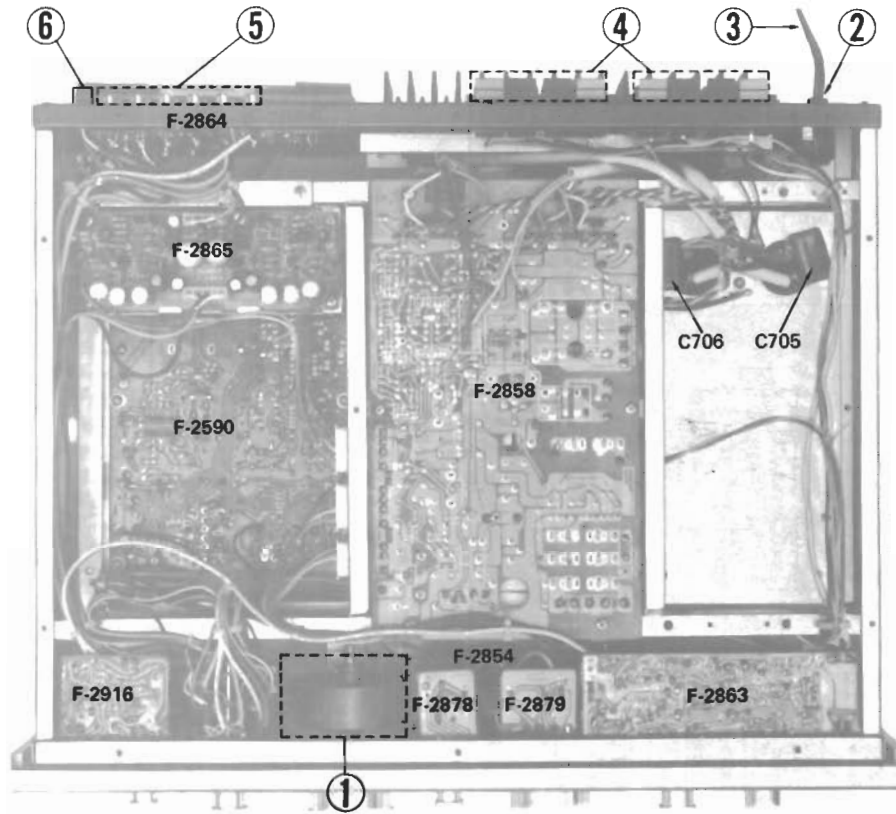
<Top View>



Parts List

Parts No.	Stock No.	Description
1	2450060	AC Outlet
2	2410091	6P Voltage Selector Plug
3	2410830	10P Voltage Selector Socket
4	6146670	Pulley
5	7136082	Tension Unit
6	2210310	Antenna Terminal Board
7	5286480	Bar Antenna Holder (B)
8	3910490	Strain Relief (Antenna Cord)
9	5286450	Bar Antenna Holder
10	2090030	5P Din Socket
11	2030070	Transistor Socket
TR701, 702	0308541, 2	2SD188A R.Q. } Transistor
TR703, 704	0303381, 2	2SB545A R.Q. }
C 701	0605337	0.033 μF 250V M.C.
C 702	0659802	0.0047 μF 150V C.C.
C 703, 704	0559384	10000 μF 50V E.C.
R 701	0119335	3.3 MΩ 1/4W S.R.
R 703, 704	0153338	0.33Ω 3W Ce.R.
R 705, 706	0153338	0.33Ω 3W Ce.R.
L 701	4290021	Balun
L 702	4200830, 1	Bar Antenna
T 701	4002780	Power Transformer
PL 701, 702	0400560	8V 0.3A Pilot Lamp

<Bottom View>



Parts List

Parts No.	Stock No.	Description
1	7036570	Tuning Unit
2	3910600	Strain Relief (AC Cord)
3	3800010	AC Cord
4	2290190	Speaker Terminal
5	2200490	12P Input Terminal Board
6	2230150	Ground Terminal
C	705, 706 0603108	0.1 μ F 125V M.C

5. THREADING OF DIAL CORD

- If a dial cord is cut off or slips, replace it by following procedures.
As this unit uses 0.5 mm ϕ cord, please replace it with the same type certainly.
- The length of dial cord is approximately 170 cm (66.9 inch).

Fig.1

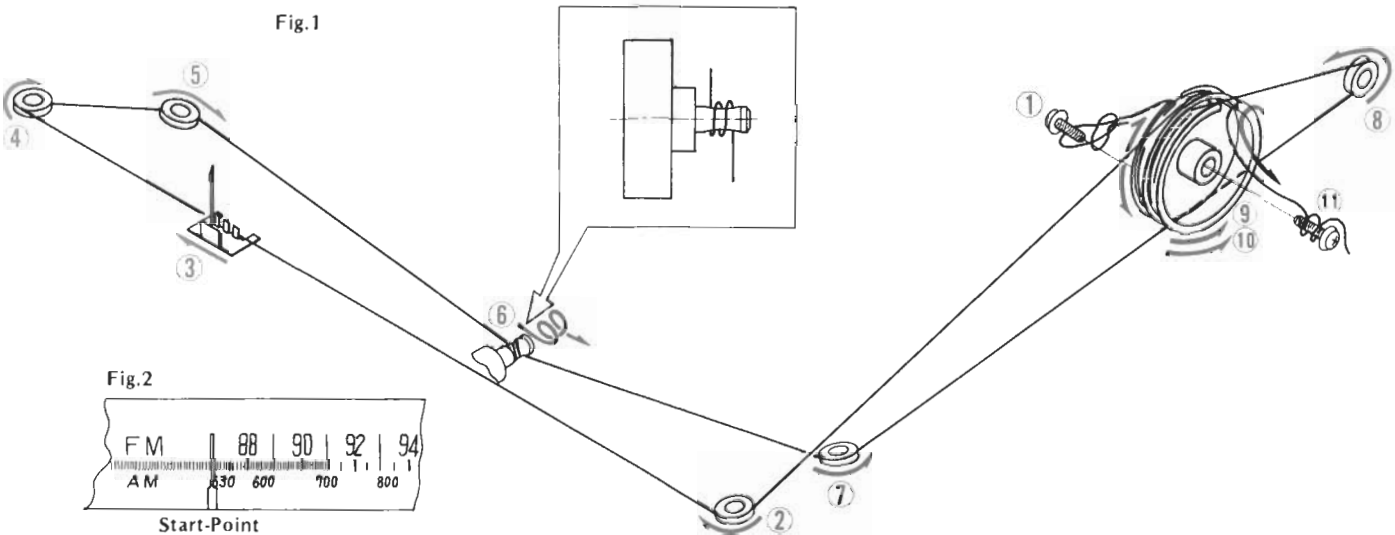
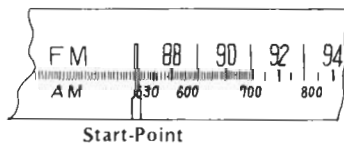


Fig.2



1. Threading of Dial Cord

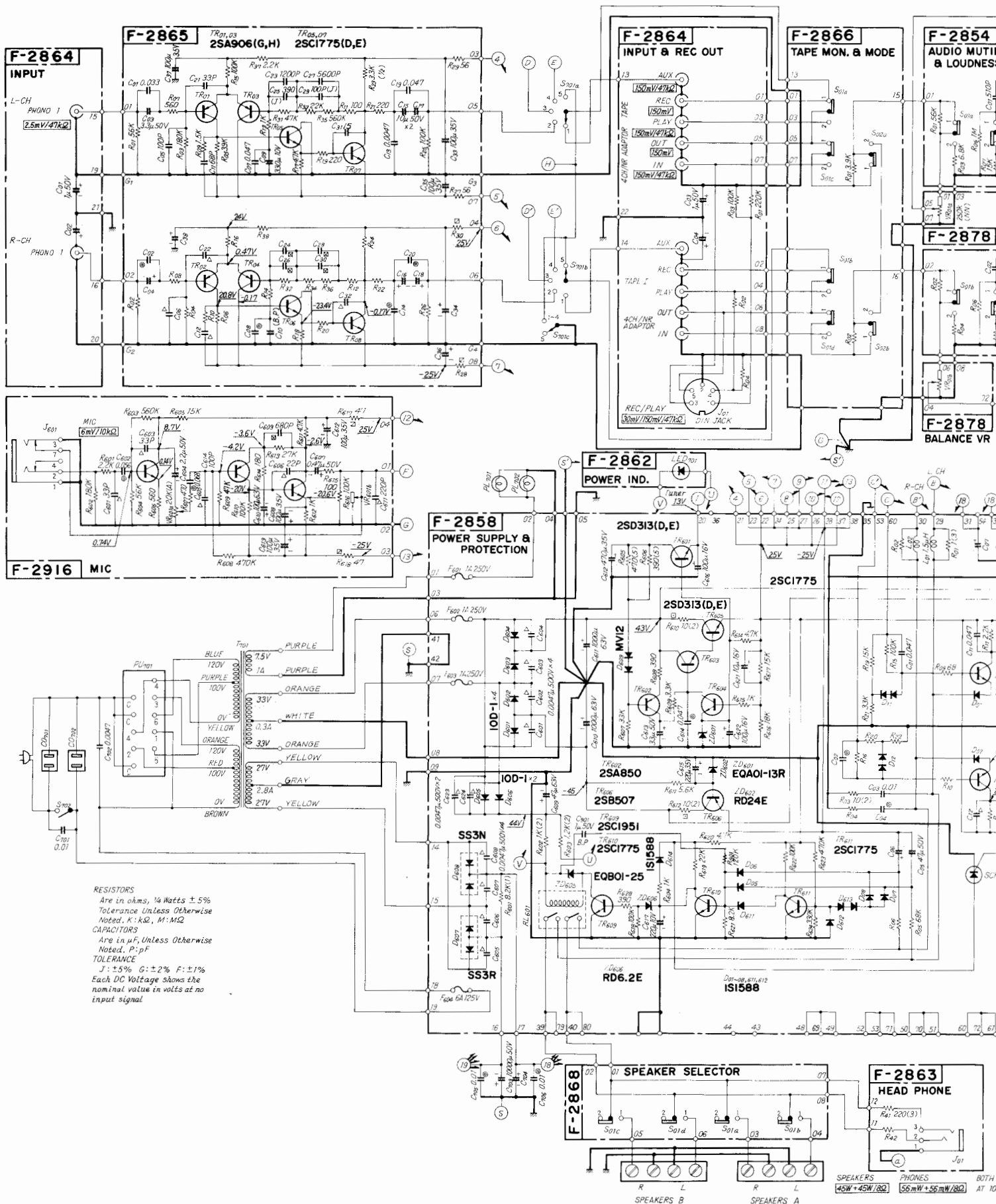
- Thread the dial cord in numerical order from 1 to 11 as Fig. 1.
- Close the variable capacitor completely.

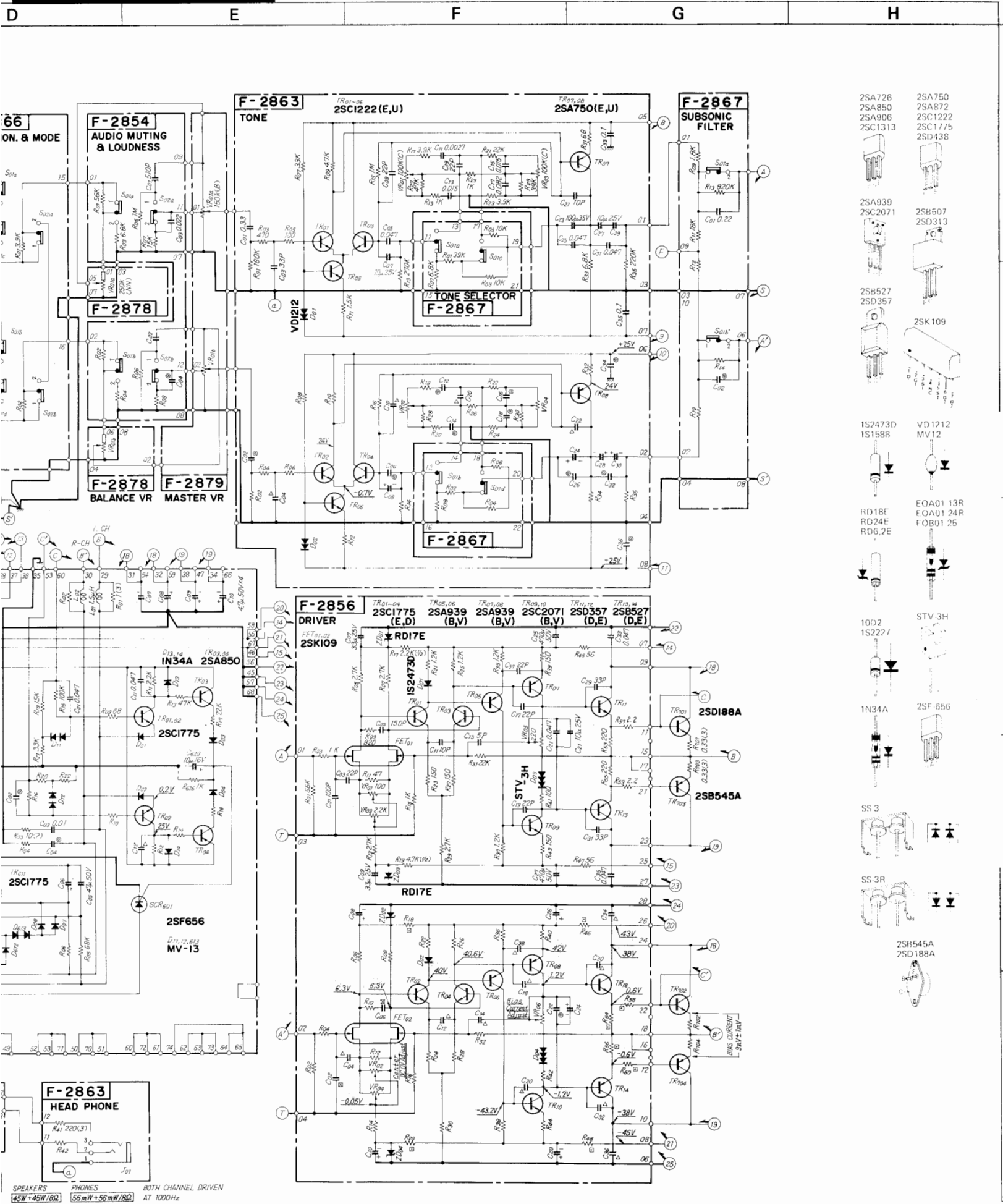
Stock No.	Description
6036051	Dial Cord (0.5 mm ϕ)
6146670	Dial Pulley

2. Attachment of Dial Pointer

1. Set the dial pointer to the start-point as Fig. 2.
- Confirm that the dial pointer runs smoothly on the dial scale by turning the tuning shaft.

6. SCHEMATIC DIAGRAM 6-1. Audio & Power Supply Section





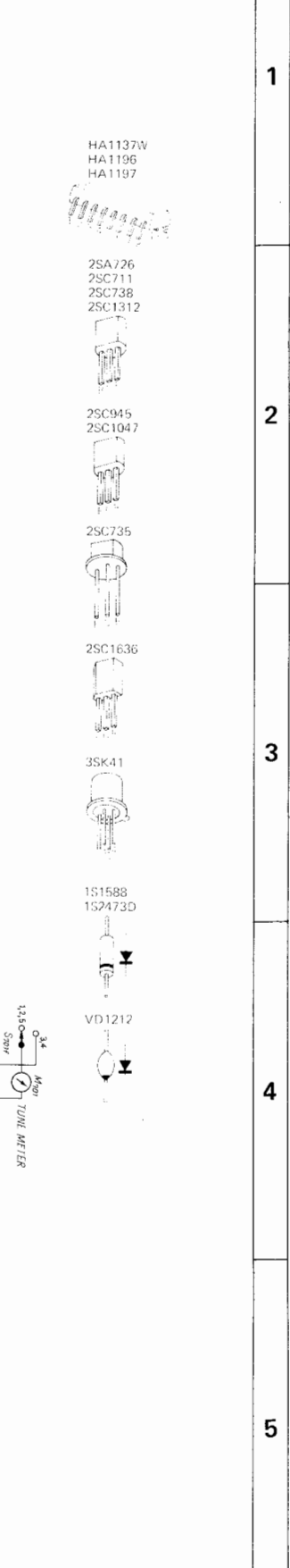
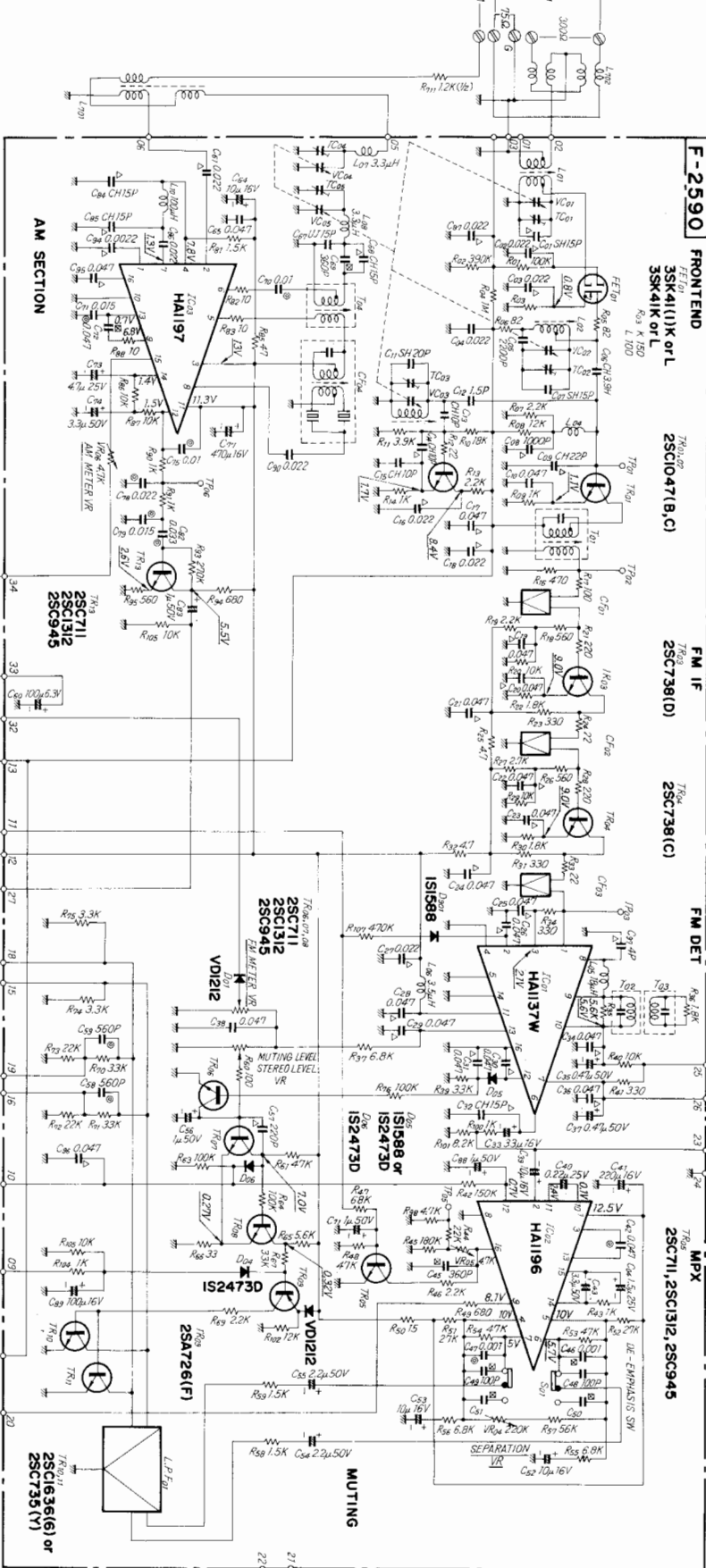
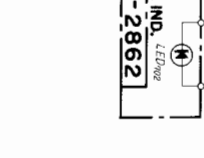
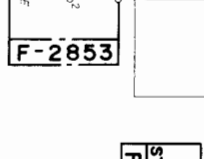
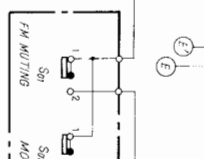
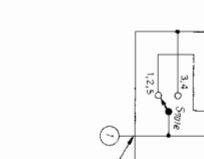
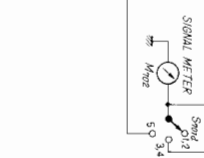
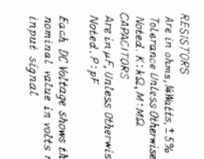
• Design and specifications subject to change without notice for improvement.
 • La présentation et les spécifications sont susceptibles d'être modifiées sans préavis par suites d'améliorations éventuelles.
 • Änderungen, die dem technischen Fortschritt dienen, bleiben vorbehalten.

6-2. Tuner Section

- SWITCHES**
- | | |
|------------|----------------------|
| SELECTOR | Slide |
| 1. | AUX |
| 2. | FM/TO |
| 3. | FM/ADJ |
| 4. | DOUBT FM/DE-EMPHASIS |
| 5. | ADJ |
| POWER | Slide |
| 1. | ON |
| 2. | OFF |
| SPEAKERS A | Slide |
| 1. | ON |
| 2. | OFF |
| SPEAKERS B | Slide |
| 1. | ON |
| 2. | OFF |

- TAPE MONITOR**
- | | |
|--------|--------|
| F-2854 | Slide |
| 1. | SOURCE |
| 2. | TAPE |
- ADJ/ADJ ADAPTOR**
- | | |
|--------|-------|
| F-2862 | Slide |
| 1. | ON |
| 2. | OFF |
- LOUDNESS**
- | | |
|--------|-------|
| F-2854 | Slide |
| 1. | ON |
| 2. | OFF |
- FM MUTING**
- | | |
|--------|-------|
| F-2853 | Slide |
| 1. | ON |
| 2. | OFF |
- AUDIO MUTING**
- | | |
|--------|-------|
| F-2854 | Slide |
| 1. | ON |
| 2. | OFF |
- SPEAKERS B**
- | | |
|--------|-------|
| F-2858 | Slide |
| 1. | ON |
| 2. | OFF |

- RESISTORS**
- Are in ohms, unless 1.5% tolerance unless otherwise noted. 1/4W, 1/2W, 1W.
- SIGNAL METER**
- 25C711, 25C132, 25C945
- Each DC voltage shows the nominal value in volts no input signal.



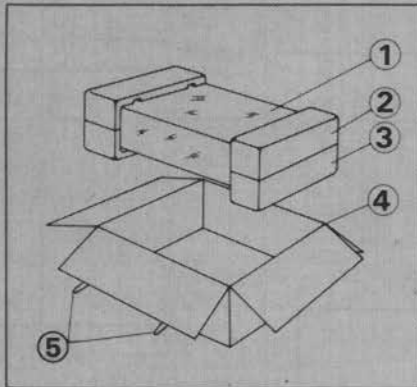
1
2
3
4
5

7. PACKING LIST

Parts No.	Stock No.	Description
1	9116051	Vinyl Cover
2	9028140	Stylofoam Packing (Upper)
3	9028150	Stylofoam Packing (Lower)
4	9000480	Carton Case
5	5996080	Curl Stopper

8. ACCESSORY PARTS LIST

Stock No.	Description
9202930	Operating Instructions
9237760	Schematic Diagram
3820100	FM Antenna



MEMO



SANSUI ELECTRONICS CORPORATION : 55-11 Queens Blvd. Woodside, N.Y. 11377 U.S.A.
 333 West Alondra Blvd. Gardena, California 90247 U.S.A.
 3036 Koapaka St. Honolulu, Hawaii 96819 U.S.A.
 SANSUI AUDIO EUROPE N.V. : North Trade Bldg. (9th floor) Noorderlaan 133-Bus 1, 2030 Antwerp, Belgium
 SANSUI AUDIO EUROPE S.A. : Arabella center, 6 Frankfurt AM Main, Lyoner Strasse 44-48, West Germany
 SNASUI ELECTRIC COMPANY LTD. : 14-1, Izumi 2-chome, Sugunami-ku, Tokyo 168 Japan PHONE: (03) 323-1111/TELEX: 232-2076